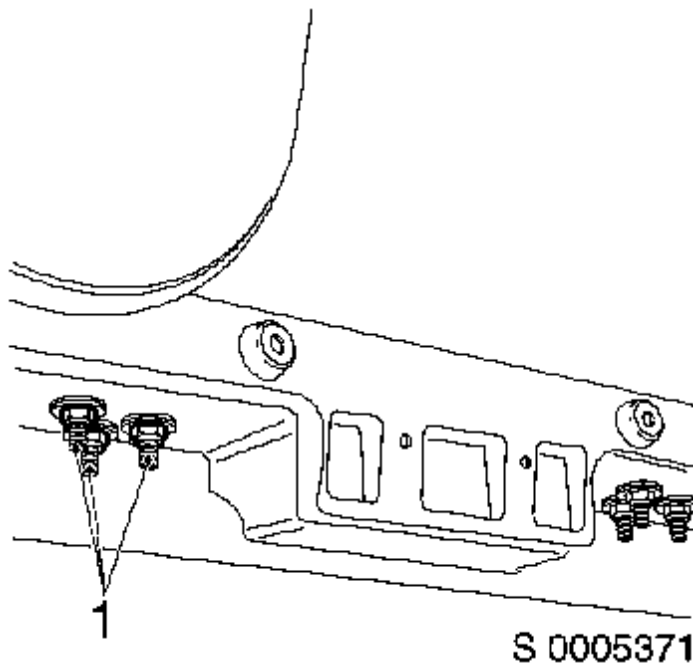


## Hinge, Engine Cover, Replace



Remove

1. Remove rear clamshell - see operation "Rear Clamshell, Remove and Install (Z 20 LET)"
2. Remove hinge for engine cover
  - Remove 3x nut (1), 3x washer
  - Remove gasket



Install

3. Install hinge for engine cover
  - Install gasket
  - Install, then secure 3x nut, 3x washer
4. Install rear clamshell - see operation "Rear Clamshell, Remove and Install (Z 20 LET)"